

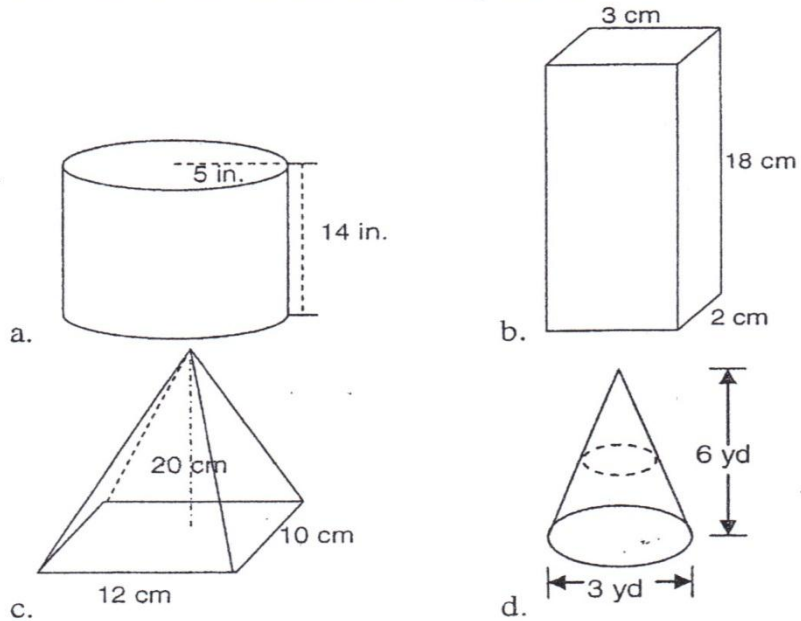
10.5 Notes: Volume

To find the volume of a **prism** or **cylinder**, use the formula:

To find the volume of a **pyramid** or a **cone**, use the formula:

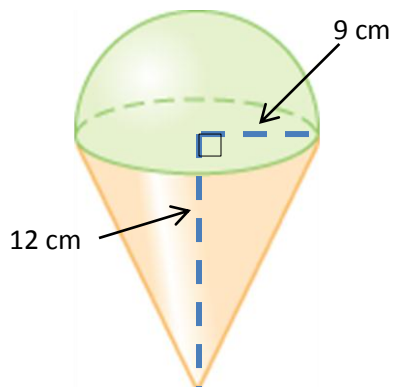
To find the volume of a **sphere**, use the formula:

1. Find the volume of the following solids:

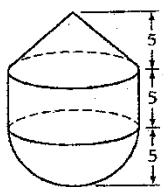


2-5 Find the volume of each shape:

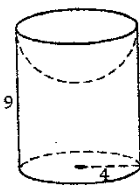
2)



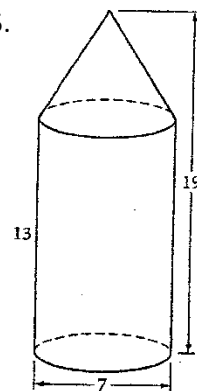
3.



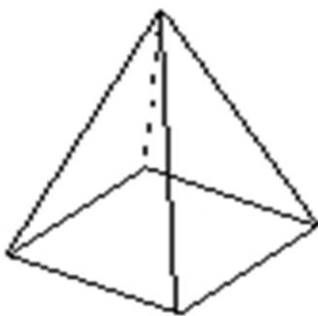
4. Cylinder with hemisphere taken out of the top



5.



6)



7)

